

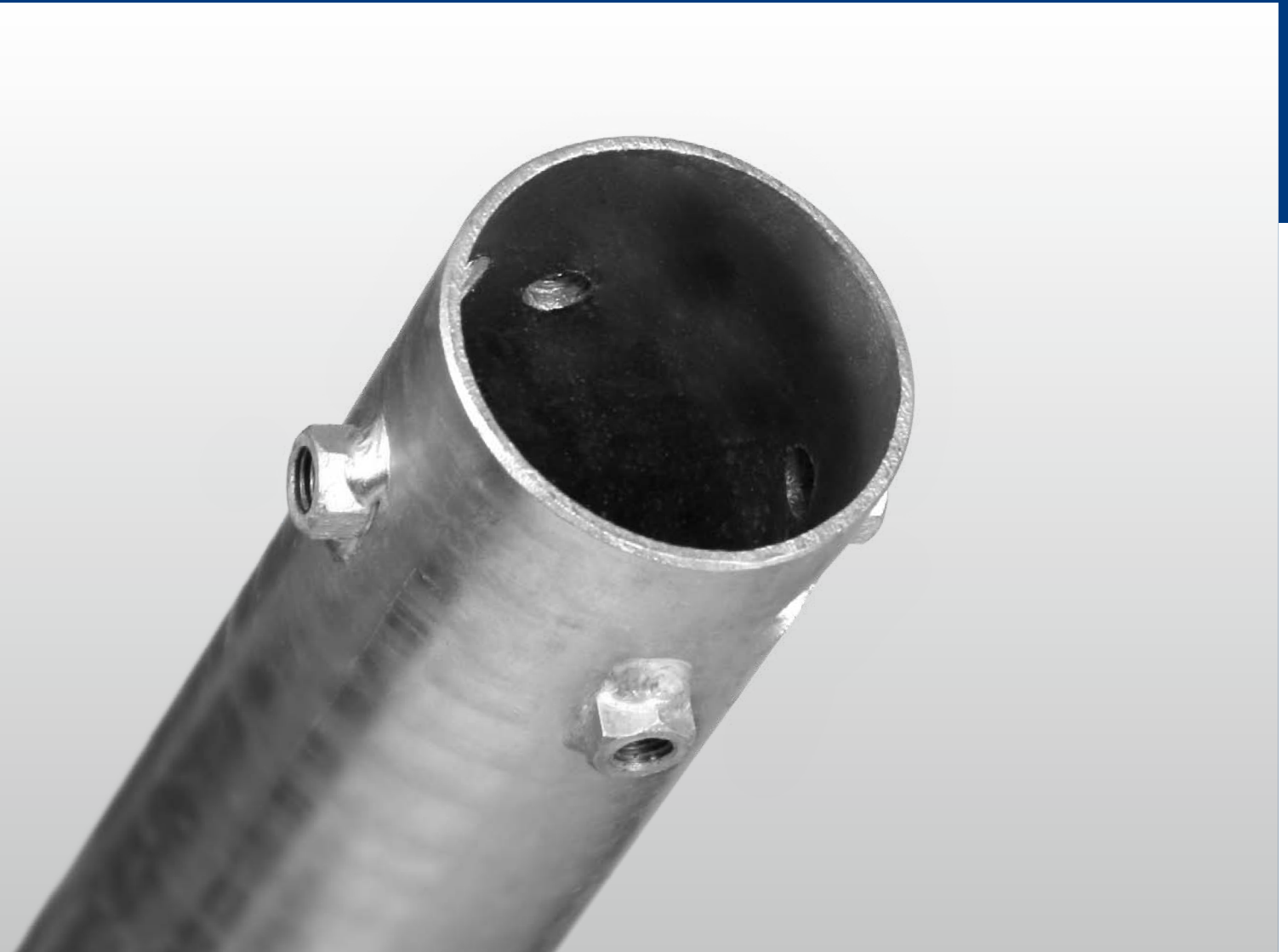


KRINNER

The Ground Screw

www.krinner.com

G SERIES



G SERIES

The KRINNER Ground Screw
with thread fixing





G SERIES

The KRINNER Ground Screw with thread fixing



The G Series of ground screws are equipped with one, three or four threaded screw connections. They are ideally suited to quick, vertical and permanent assembly of objects such as masts and fence posts.

Optionally, fence posts can also be secured quickly and permanently using the special granulate.

RECOMMENDED DRIVERS:

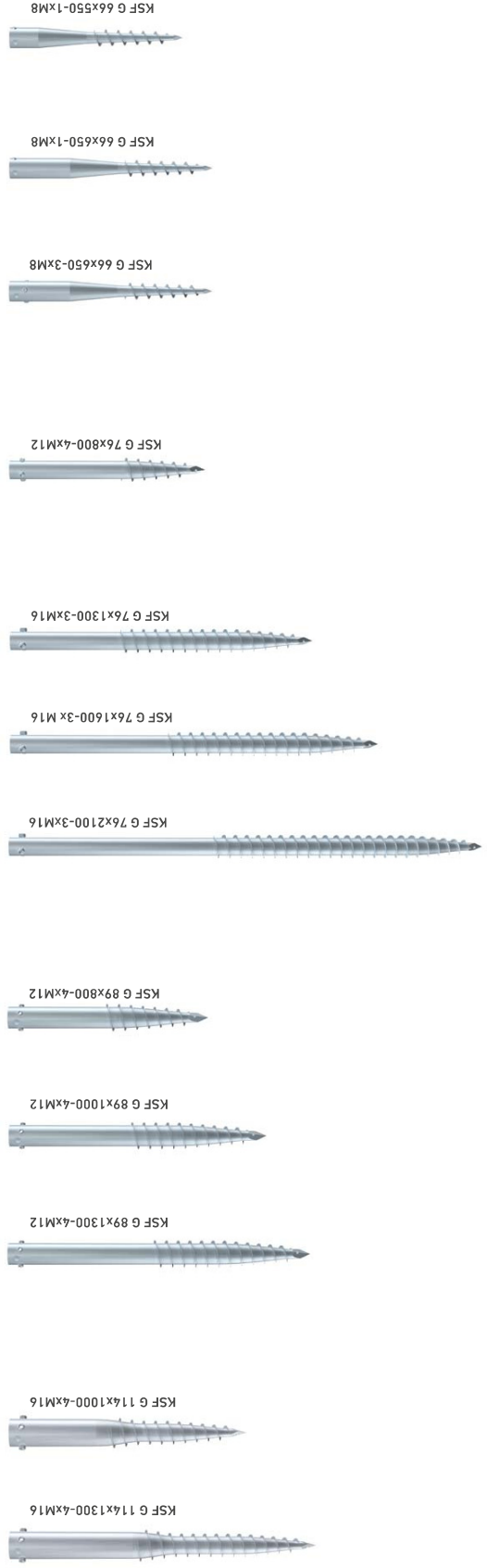
For correct insertion of G Series ground screws, use the Ground Screw Driver **KR E 10** or **KR E 20**, **KR D 55** driver, or **KR B 40**, **KR B 60** or **KR B 250** Lot-o-Mat.

These ground screws can also be driven into loose soil using manual driving tools or lever bars.

Overview of G Series

	KSF G 114x1300-4xM16	KSF G 114x1000-4xM16	KSF G 89x1300-4xM12	KSF G 89x1000-4xM12	KSF G 89x800-4xM12
Length (mm)	1000	1300	1000	800	
Tube diameter (mm)	114.30	88.90	88.90	88.90	
Weight (kg)	8.50	7.80	6.60	5.80	
Item number	25461	25459	25458	25457	

	KSF G 76x2100-3xM16	KSF G 76x1600-3xM16	KSF G 76x1300-3xM16	KSF G 66x650-3xM8	KSF G 66x650-1xM8	KSF G 66x550-1xM8
Length (mm)	2100	1600	1300	650	650	550
Tube diameter (mm)	76.10	76.10	76.10	66	66	66
Weight (kg)	14.00	10.50	8.50	1.85	1.60	1.60
Item number	25456	25455	25454	20065	20065	20055



Technical Data Sheet G Series

Basic Info

KSF G 114x1300-4xM16 KSF G 114x1000-4xM16

Nominal length (mm)

1300 1000

Tube diameter (mm)

114.30 114.30

Weight (kg)

11.00 8.50

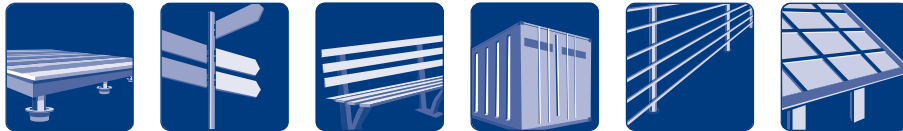
Item number

25461 25460

Construction

- Nut: DIN EN ISO 4032 - 8
- Continuous welded helix
- Coating: Hot-dip galvanized according to DIN EN ISO 1461

Applications



Accessories



**Special
Granulate 1500 g**
Item No. 21824



**Special
Granulate 500 g**
Item No. 21823



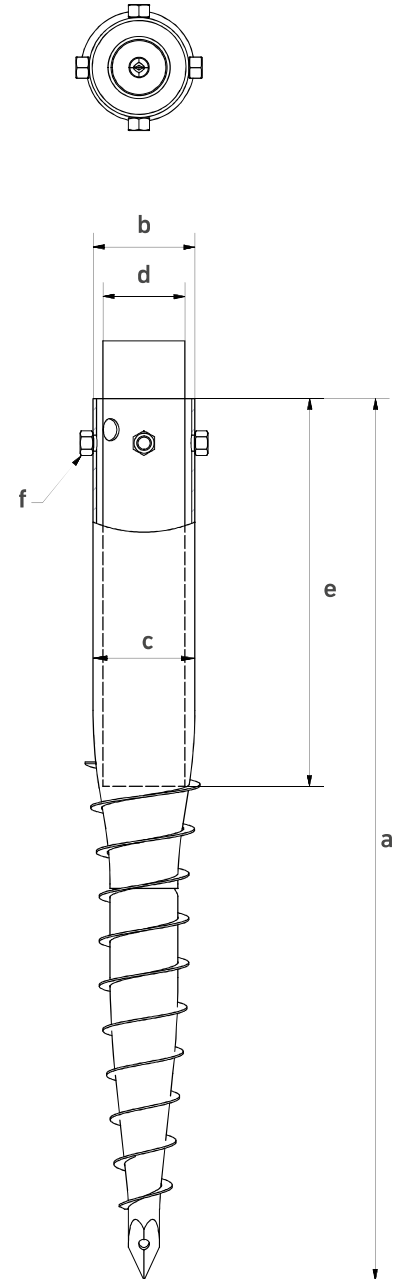
Screwing Bar long
2.40 kg
Item No. 24805



KSF G 114x
1300-4xM16

Technical Data

	KSF G 114x1300-4xM16	KSF G 114x1000-4xM16
a	Length (mm) (± 25 mm)	
	1300	990
b	Shaft outer diameter (mm)	
	114.30	114.30
c	Inner diameter (mm)	
	107.10	107.10
d	Diameter setting (mm)	
	100 90 80 76	100 90 80 76
e	Depth setting (mm) (± 25 mm)	
	490 540 570 590	350 400 440 460
f	Thread	
	4 x M16	4 x M16



Online Service

	KSF G 114x1300-4xM16	KSF G 114x1000-4xM16
--	----------------------	----------------------

Webkey

G2546111D

G2546011D



Subject to technical change!

Krinner Schraubfundamente GmbH | Passauer Straße 55 | D-94342 Straßkirchen
 Phone: +49 9424 9401-80 | E-Mail: service@krinner.com | www.krinner.com

Technical Data Sheet G Series

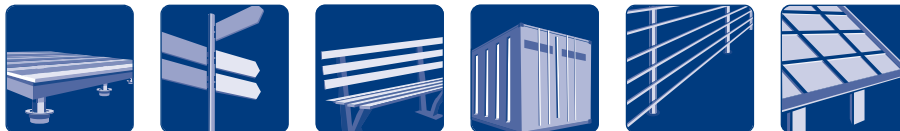
Basic Info

KSF G 89x1300-4xM12	KSF G 89x1000-4xM12	KSF G 89x800-4xM12
Nominal length (mm)		
1300	1000	800
Tube diameter (mm)		
88.90	88.90	88.90
Weight (kg)		
7.80	6.60	5.80
Item number		
25459	25458	25457

Construction

- Nut: DIN EN ISO 4032 - 8
- Continuous welded helix
- Coating: Hot-dip galvanized according to DIN EN ISO 1461

Applications



Accessories



Special
Granulate 1500 g
Item No. 21824



Special
Granulate 500 g
Item No. 21823



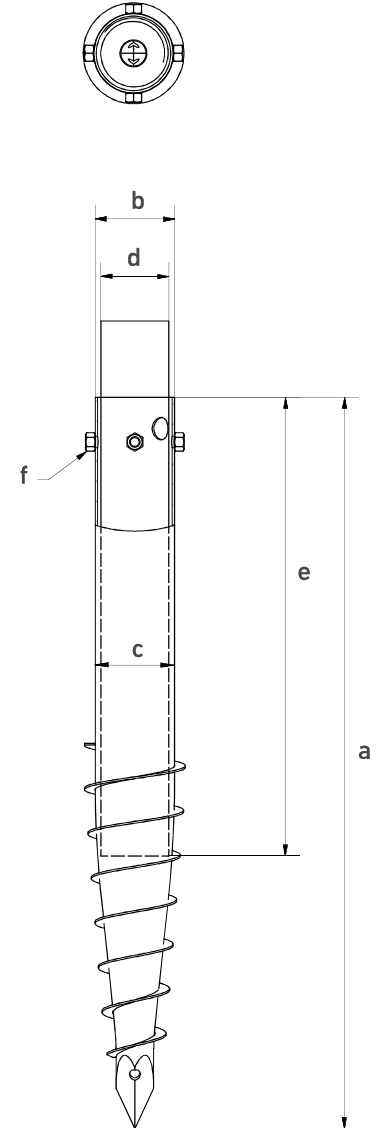
Screwing Bar long
2.40 kg
Item No. 24805



KSF G 89x
1300-4xM12

Technical Data

	KSF G 89x1300-4xM12	KSF G 89x1000-4xM12	KSF G 89x800-4xM12
a	Length (mm) (± 25 mm)		
	1280	1080	830
b	Shaft outer diameter (mm)		
	88.90	88.90	88.90
c	Inner diameter (mm)		
	83.70	83.70	83.70
d	Diameter setting (mm)		
	76 40x60 60 48	76 40x60 60 48	76 40x60 60 48
e	Depth setting (mm) (± 25 mm)		
	970 1020 1055 1090	780 830 855 900	520 570 600 640
f	Thread		
	4 x M12	4 x M12	4 x M12



Online Service

KSF G 89x1300-4xM12	KSF G 89x1000-4xM12	KSF G 89x800-4xM12
---------------------	---------------------	--------------------

Webkey

G2545911D



G2545811D



G2545711D



Subject to technical change!

Krinner Schraubfundamente GmbH | Passauer Straße 55 | D-94342 Straßkirchen
 Phone: +49 9424 9401-80 | E-Mail: service@krinner.com | www.krinner.com

Technical Data Sheet G Series

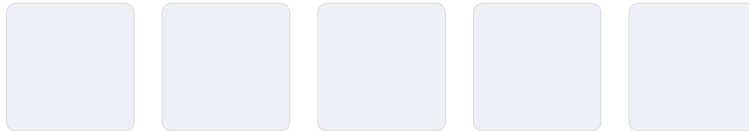
Basic Info

KSF G 76x2100-3xM16	KSF G 76x1600-3xM16	KSF G 76x1300-3xM16
Nominal length (mm)		
2100	1600	1300
Tube diameter (mm)		
76.10	76.10	76.10
Weight (kg)		
14.00	10.50	8.50
Item number		
25456	25455	25454

Construction

- Nut: DIN EN ISO 4032 - 8
- Continuous welded helix
- Coating: Hot-dip galvanized according to DIN EN ISO 1461

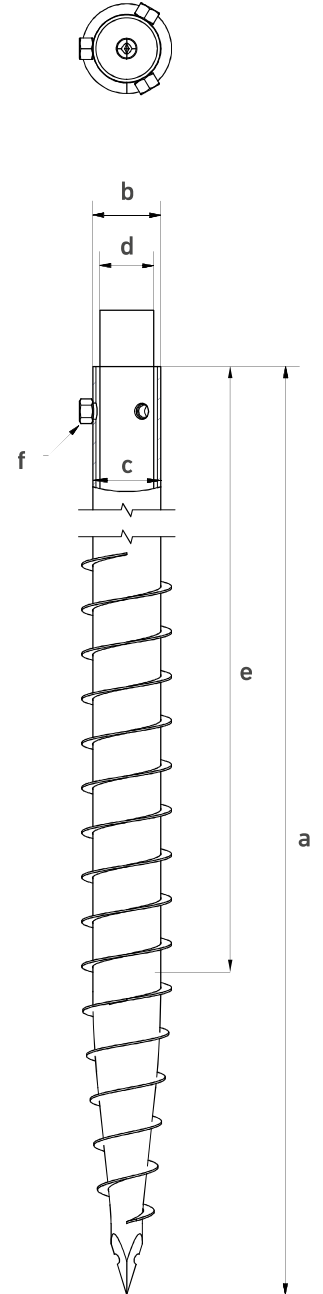
Applications



KSF G 76x
1300-3xM16

Technical Data

	KSF G 76x2100-3xM16	KSF G 76x1600-3xM16	KSF G 76x1300-3xM16
a	Length (mm) (± 25 mm)		
	2080	1580	1280
b	Shaft outer diameter (mm)		
	76.10	76.10	76.10
c	Inner diameter (mm)		
	68.90	68.90	68.90
d	Diameter setting (mm)		
	60	60	60
e	Depth setting (mm) (± 25 mm)		
	1815	1315	1020
f	Thread		
	3 x M16	3 x M16	3 x M16



Online Service

KSF G 76x2100-3xM16	KSF G 76x1600-3xM16	KSF G 76x1300-3xM16
---------------------	---------------------	---------------------

Webkey

G2545611D

G2545511D

G2545411D



Subject to technical change!

Krinner Schraubfundamente GmbH | Passauer Straße 55 | D-94342 Straßkirchen
 Phone: +49 9424 9401-80 | E-Mail: service@krinner.com | www.krinner.com

Technical Data Sheet G Series

Basic Info

KSF G 76x800-4xM12

Nominal length (mm)

800

Tube diameter (mm)

76.10

Weight (kg)

3.80

Item number

24083

Construction

- Nut: DIN EN ISO 4032 - 8
- Continuous welded helix
- Coating: Hot-dip galvanized according to DIN EN ISO 1461

Applications



Accessories



Special
Granulate 1500 g
Item No. 21824



Special
Granulate 500 g
Item No. 21823



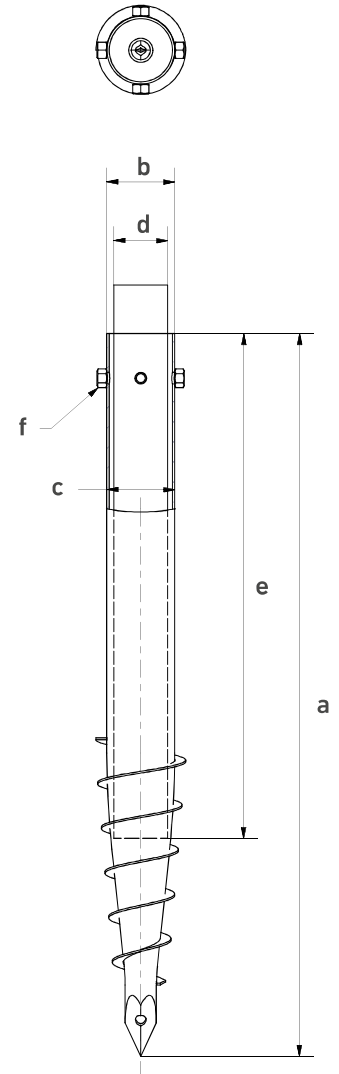
Screwing Bar long
2.40 kg
Item No. 24805



KSF G 76x800-
4xM12

Technical Data

KSF G 76x800-4xM12	
a	Length (mm) (± 25 mm) 810
b	Shaft outer diameter (mm) 76.10
c	Inner diameter (mm) 70.90
d	Diameter setting (mm) 70 60 48 40 34
e	Depth setting (mm) (± 25 mm) 460 590 650 690 730
f	Thread 4xM12



Online Service

KSF G 76x800-4xM12

Webkey
G2408311D



Technical Data Sheet G Series

Basic Info

KSF G 66x650-3xM8

Nominal length (mm)

650

Tube diameter (mm)

66

Weight (kg)

1.85

Item number

25452



KSF G 66x650-3xM8

Construction

- Nut: DIN EN ISO 4032 - 8
- Continuous welded helix
- Coating: Hot-dip galvanized according to DIN EN ISO 1461
- Patented conical body forged from a single piece

Applications



Accessories



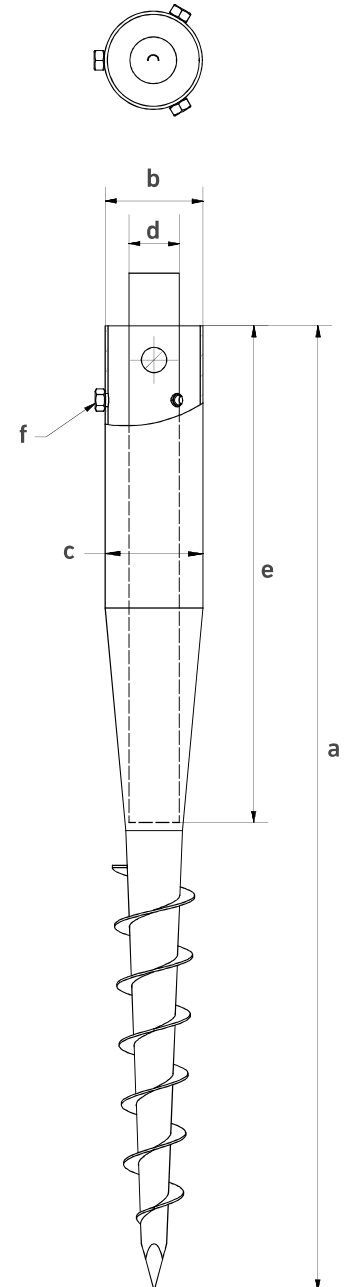
Special
Granulate 500 g
Item No. 21823



Screwing Bar short
0.60 kg
Item No. 20070

Technical Data

KSF G 66x650-3xM8	
a	Length (mm) (± 25 mm) 650
b	Shaft outer diameter (mm) 66
c	Inner diameter (mm) 62
d	Diameter setting (mm) 62 55.5 50 43 38.5 34
e	Depth setting (mm) (± 25 mm) 210 228 245 276 317 395
f	Thread 3 x M8



Online Service

KSF G 66x650-3xM8	
-------------------	--

Webkey
G2545211D



Technical Data Sheet G Series

Basic Info

KSF G 66x650-1xM8	KSF G 66x550-1xM8
Nominal length (mm)	
650	550
Tube diameter (mm)	
66	66
Weight (kg)	
1.80	1.60
Item number	
20065	20055



KSF G 66x650-1xM8

Construction

- Continuous welded helix
- Coating: Hot-dip galvanized according to DIN EN ISO 1461
- Patented conical body forged from a single piece

Applications



Accessories



Special Granulate 500 g
Item No. 21823



Reduction Sleeve Set-G66
0.10 kg
Item No. 21806



Pivot Linkage Cover-G66
0.30 kg
Item No. 21804



Twisting Element-G 66
0.10 kg
Item No. 21839



Screwing Bar short
0.60 kg
Item No. 20070



Foundation Cap-G 66
0.20 kg
Item No. 21805



Cover Plate-G 66
0.10 kg
Item No. 21856

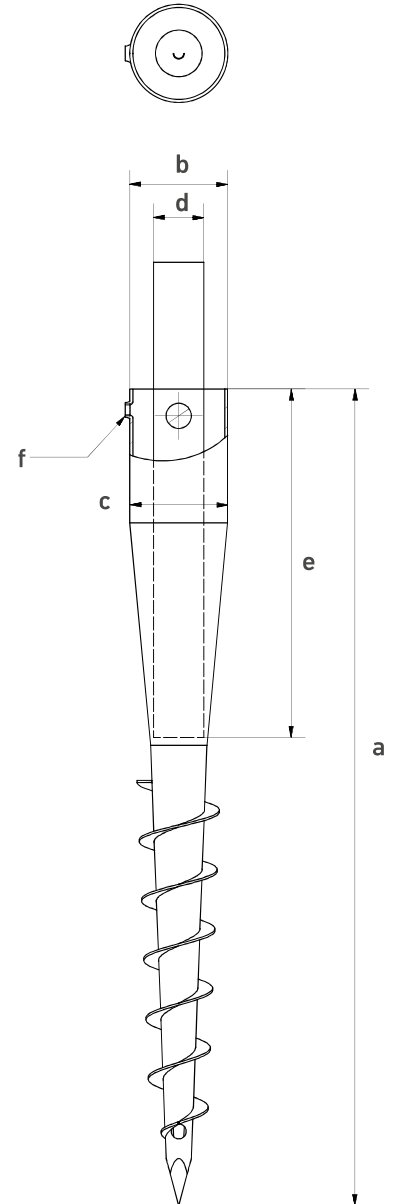
Subject to technical change!

Krinner Schraubfundamente GmbH | Passauer Straße 55 | D-94342 Straßkirchen
Phone: +49 9424 9401-80 | E-Mail: service@krinner.com | www.krinner.com

efficient · no concrete · durable

Technical Data

	KSF G 66x650-1xM8	KSF G 66x550-1xM8
a	Length (mm) (± 20 mm)	
	650	550
b	Shaft outer diameter (mm)	
	66	66
c	Inner diameter (mm)	
	62	62
d	Diameter setting (mm)	
	62 55.5 50 43 38.5 34	62 55.5 50 43 38.5 34
e	Depth setting (mm) (± 20 mm)	
	210 228 245 276 317 395	110 128 145 176 217 295
f	Thread	
	1 x M8	1 x M8



Online Service

KSF G 66x650-1xM8	KSF G 66x550-1xM8
-------------------	-------------------

Webkey

G2006511D

G2005511D



Subject to technical change!

Krinner Schraubfundamente GmbH | Passauer Straße 55 | D-94342 Straßkirchen
Phone: +49 9424 9401-80 | E-Mail: service@krinner.com | www.krinner.com